



TUNGSTEN CARBIDE
BURR BLANKS
硬质合金旋转锉

温州宏丰合金有限公司

地址: 浙江省温州经济技术开发区滨海一道1633号
电话: +86-577-86800988 传真: +86-577-86800989
网址: <http://www.wzhf.com> 邮编: 325025
邮箱: wzhf@wzhf.com

WENZHOU HONGFENG ALLOY CO.,LTD

ADD: No. 1633, Binhai First Avenue, Wenzhou Economic and Technological Development Zone, Zhejiang, China
Tel: +86-577-86800988 Fax: +86-577-86800989
Web: <http://www.wzhf.com> P.C: 325025
E-mail: wzhf@wzhf.com



版本: V202212



微信扫一扫, 使用小程序



温州宏丰 | 股票代码 300283

CONTENT

目录



01

品牌篇 BRAND

01/02	企业简介	01/02	Company Profile
03/04	战略分布	03/04	Strategic Distribution
05/06	先锋创新力	05/06	Pioneering Creativity
07	尖端生产力	07	Sophisticated Productivity
08	赋能智造力	08	Intelligence and Creativity

02

产品篇 PRODUCT

09/10	牌号信息	09/10	Grade Information
11	A型旋转锉	11	Shape A (Cylindrical)
12	C型旋转锉	12	Shape C (Cylindrical Ball Nose)
13	D型旋转锉	13	Shape D (Ball)
14	E型旋转锉	14	Shape E (Olive)
15	F型旋转锉	15	Shape F (Tree with Radius Nose)
16	G型旋转锉	16	Shape G (Tree with Pointed Nose)
17	H型旋转锉	17	Shape H (Flame)
18	J型旋转锉	18	Shape J (60° Cone)
19	K型旋转锉	19	Shape K (90° Cone)
20	L型旋转锉	20	Shape L (14° Cone Ball Nose)
21	M型旋转锉	21	Shape M (Cone)
22	N型旋转锉	22	Shape N (Inverted Cone)
23/24	预成型棒	23/24	Preformed Carbide

COMPANY PROFILE

企业简介

温州宏丰合金有限公司(简称“温州宏丰合金”)是一家国家高新技术企业,是温州宏丰电工合金股份有限公司的全资子公司(简称“温州宏丰”)。公司坐落于国家级工业园温州经济技术开发区,分别距离温州国际机场6公里、温州高铁站30公里。公司致力于高品质硬质合金系列产品的研发、生产,以及行业专业解决方案的提供。产品作为切削刀具材料、模具材料以及耐磨零件广泛应用在汽车、电子、航空、采掘、工程基建等领域。

公司拥有国际一流的硬质合金制造设备和检测设备、CNAS国家认可实验室、CNC五轴联动自动化装备。温州宏丰合金始终保持着强劲的发展势头,为全球用户提供最高性价比的硬质合金产品和服务,为现代工业领域解决高强度、耐高温、耐磨损问题,提供了优良的产品和完善的解决方案。硬质合金年产1000多吨,客户遍布全球三十多个工业发达国家和地区,同时温州宏丰在美国和德国设立的全资子公司可为海外客户提供必要的技术和业务支持。

Wenzhou Hongfeng Alloy Co., Ltd (hereafter called "Wenzhou Hongfeng Alloy") is a national High-tech corporation, which is wholly-owned subsidiary of Wenzhou Hongfeng Electrical Alloy Co., Ltd (here after called "WZHF"). It is located in National Wenzhou Economical and Technological Development Zone, which is 6 kilometers to Wenzhou International Airport and 30 kilometers to Wenzhou high-speed train station respectively. We are committed to research and produce a series of cemented carbide with high quality and offer professional solution for industries. The products can be used as cutting tool materials, mould materials and wear resistance parts, they are widely used in automobile, electronics, aerospace industry, excavating and engineering infrastructure, etc.

Wenzhou Hongfeng Alloy has world-class carbide manufacturing equipments, detection equipments, CNAS National Approved Laboratory and five-axis CNC auto equipments. We always have maintained a strong momentum of development, providing cost-effective cemented carbide and service for global users, providing excellent products and perfect solutions of high strength, high temperature and wear resistance for modern industry fields. The annual output of cemented carbide are more than 1000 tons. Our customers located in over 30 industrially developed countries and regions. Meanwhile, WZHF has established wholly-owned subsidiaries in USA and Germany which can provide overseas customers with necessary technical and business support.

宏扬广大 丰硕共享

Create exceptional advancement and share our great achievements



CNAS

国家认可实验室
CNAS National
Approved Laboratory

CNC

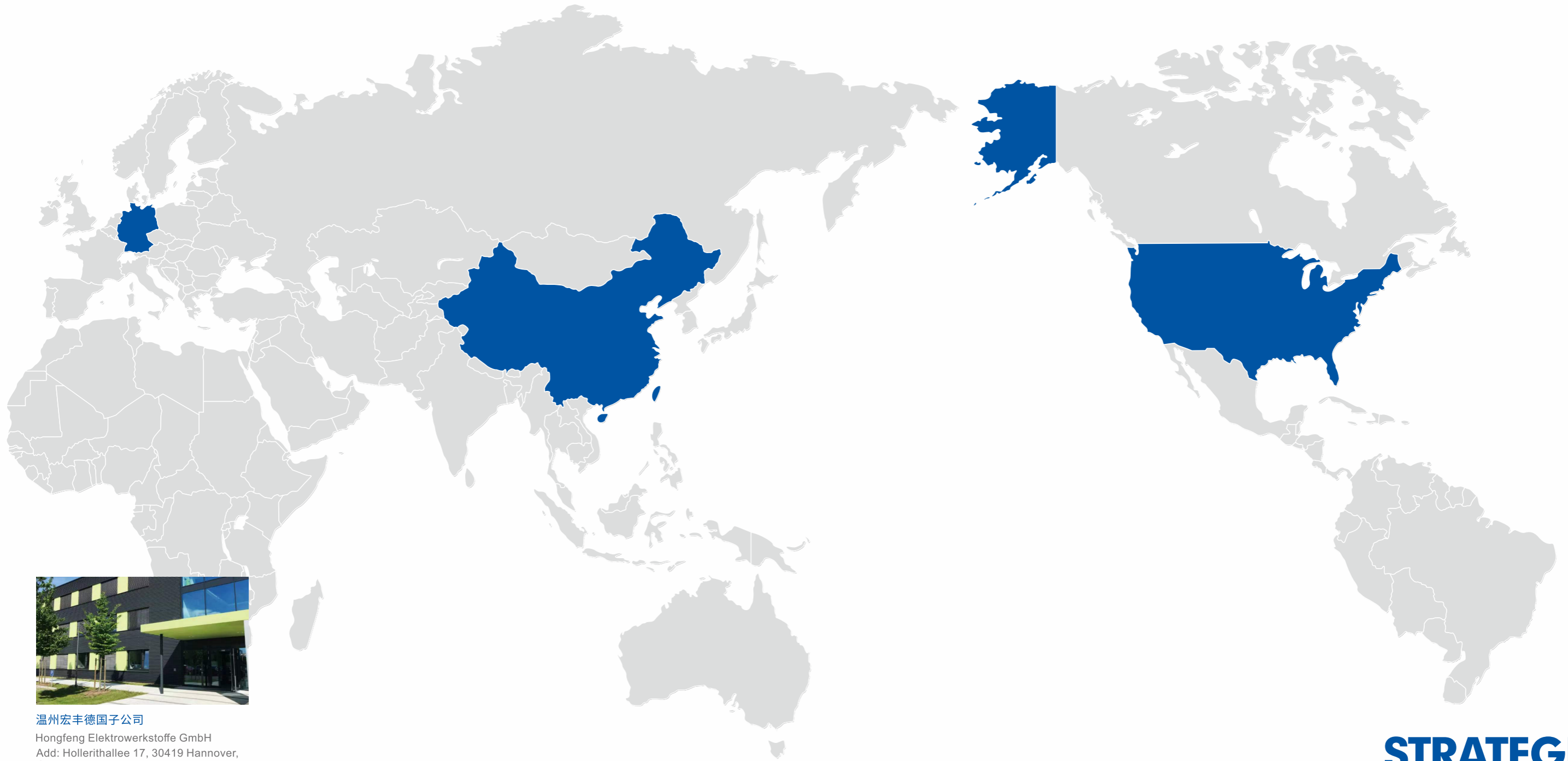
五轴联动自动化装备
Five-axis CNC
auto equipments

1000+

硬质合金年产1000多吨
Annual output
more than 1000 tons

30+

全球三十多个国家和地区
Sell to more than 30
countries and regions



温州宏丰德国子公司
 Hongfeng Elektrowerkstoffe GmbH
 Add: Hollerithallee 17, 30419 Hannover, Germany



温州宏丰合金有限公司
 Wenzhou Hongfeng Alloy Co., Ltd



温州宏丰电工合金股份有限公司
 Wenzhou Hongfeng Electrical Alloy Co., Ltd



温州宏丰金属基功能复合材料有限公司
 Wenzhou Hongfeng Metal-matrix Engineered Composite Material Co.,Ltd



温州宏丰美国子公司
 Hongfeng Composite Material Corp.
 Add: 15 E. Uwchlan Ave, Suite 424 Exton, Pennsylvania 19341,USA

STRATEGIC DISTRIBUTION

战略分布

以用户需求为起点，我们尽心打造全球战略生产服务体系。

Starting from user demands, We strive to build a global strategic production service system.

先锋创新力

PIONEERING CREATIVITY



温州宏丰已获授权专利135项，其中国际专利16项，国内发明专利79项，实用新型专利38项，外观设计专利2项。

Wenzhou Hongfeng has been granted 135 patents, including 16 international patents, 79 domestic invention patents, 38 utility model patents and 2 design patents.

尖端生产力 SOPHISTICATED PRODUCTIVITY



PVA低压炉
PVA HIP-Sintering Furnace



喷雾塔
Spray Tower

引进先进设备, 提能增效, 行业领先;
匠心铸就品质, 精益求精, 质量至上。

Introducing advanced equipment, improving capacity and efficiency,
leading the industry. Ingenuity creates quality,
striving for perfection and quality first.



场发射扫描电子显微镜
Field Emission Scanning Electron Microscope



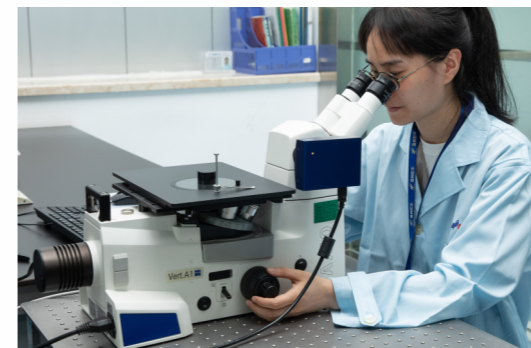
电感耦合等离子体发射光谱仪
Inductively Coupled Plasma Optical Emission Spectrometer



图像尺寸测量仪
Image Dimension Measurement System



圆度仪
Roundness Tester



金相显微镜
Metallographic Microscope



万能材料试验机
Universal Material Testing System

以智慧赋能制造, 以数字提升管理。
建立高质量、高标准、高效率的智造体系。

With intelligent manufacturing and digital management.
To establish a high quality, high standard and high efficiency
intelligence manufacturing system.

赋能智造力

INTELLIGENCE AND CREATIVITY

牌号信息

GRADE INFORMATION

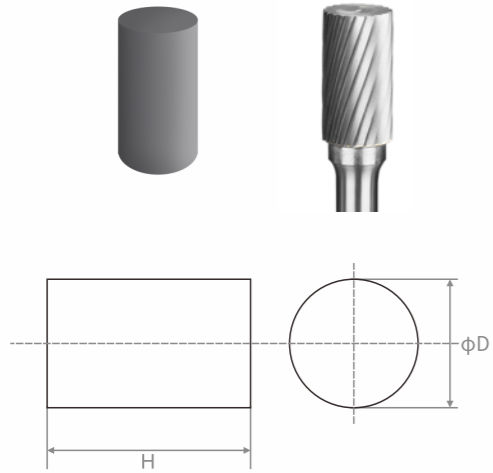
分类 Classification	牌号 Grade	钴含量 Cobalt Content (Co%)	硬度 Hardness (HRA)	密度 Density (g/cm ³)	抗弯强度 TRS (N/mm ²)
超细 ULTRAFINE	YG6AX	6.0	93.2	14.80	2800
亚微细 SUBMICRON	HU20E	10.0	91.8	14.45	3700
	YG6X	6.0	92.0	14.89	3000
中 MEDIUM	YG7	7.0	90.5	14.81	2800
	YG7A	7.0	91.0	14.85	2500
	HF7Z	7.0	90.5	14.83	2500
	HF20Z	7.5	90.0	14.70	2500

晶粒度 Grain Size (μm)	推荐用途 Application Recommended
0.6	适用于各种铸铁及金属的精加工和半精加工,是制作整体硬质合金孔加工工具的优良材料。 Applicable to finishing and semi-finishing of all kinds of cast iron and metal, it's excellent material to produce solid carbide hole machining tools.
0.7	耐磨性很好,韧性很高,主要应用于高性能工业旋转锉刀及牙科旋转锉刀。 Good wear resistance and high toughness, applicable to high performance industrial burs and dental burs.
0.8	适用于加工冷硬合金铸铁与耐热合金钢,也适合加工普通铸铁与非金属材料。 Applicable to processing alloy chilled cast iron and heat-resistant alloy steel, also applicable to processing general cast iron and non-metallic materials.
1.6	适用于铸铁、有色金属及其合金的粗加工。 Applicable to rough machining of cast iron, non-ferrous metals and non-ferrous alloy.
1.2	适用于铸铁、有色金属及其合金的精加工和半精加工。 Applicable to finishing and semi-finishing of cast iron, non-ferrous metals and non-ferrous alloy.
1.6	适用于铸铁、有色金属及其合金的粗加工, YG7的经济型牌号。 Applicable to rough machining of cast iron, non-ferrous metals and non-ferrous alloy. The economic grade of YG7.
1.6	适用于铸铁、有色金属及其合金的粗加工。 Applicable to rough machining of cast iron, non-ferrous metals and non-ferrous alloy.

A型旋转锉

SHAPE A (CYLINDRICAL)

公制 METRIC



规格 Type	基本尺寸 Basic dimension	
	直径 ϕD (mm)	高度 H (mm)
A0413	4.5	13.3
A0613	6.5	13.3
A0616	6.5	16.3
A0818	8.5	18.3
A0820	8.5	20.3
A1020	10.5	20.3
A1125	11.5	25.3
A1225	12.5	25.3
A1325	13.2	25.3
A1625	16.5	25.3
A2025	20.5	25.3

英制 INCH

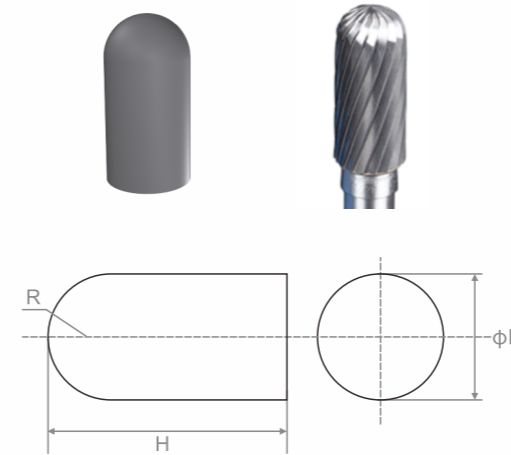
规格 Type	直径 ϕD (inch)		高度 H (inch)	
	BSA-51S	1/4	0.265	3/16
BSA-51	1/4	0.265	1/2	0.50
BSA-2	5/16	0.327	3/4	0.75
BSA-3	3/8	0.390	3/4	0.75
BSA-4	7/16	0.453	1	1.00
BSA-5	1/2	0.515	1	1.00
BSA-6	5/8	0.640	1	1.00
BSA-15	3/4	0.767	1/2	0.50
BSA-16	3/4	0.767	1/2	0.50
BSA-72	3/4	0.767	3/4	0.75
BSA-7	3/4	0.767	1	1.00
BSA-8	7/8	0.892	1	1.00
BSA-9	1	1.019	1	1.00

注:其他尺寸可定制 Remark:Other dimension customized available

C型旋转锉

SHAPE C (CYLINDRICAL BALL NOSE)

公制 METRIC



规格 Type	基本尺寸 Basic dimension		
	直径 ϕD (mm)	高度 H (mm)	R (mm)
C0413	4.5	13.3	2.25
C0616	6.5	16.3	3.25
C0618	6.5	18.3	3.25
C0818	8.5	18.3	4.25
C0820	8.5	20.3	4.25
C1020	10.5	20.3	5.25
C1125	11.5	25.3	5.75
C1225	12.5	25.3	6.25
C1325	13.5	25.3	6.75
C1625	16.5	25.3	8.25
C2025	20.5	25.3	10.25

英制 INCH

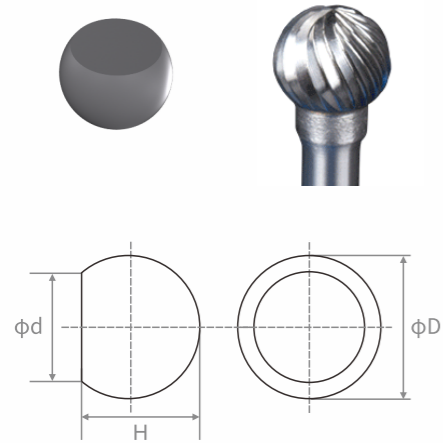
规格 Type	直径 ϕD (inch)		高度 H (inch)		R (inch)
	BSC-51S	1/4	0.265	3/16	0.19
BSC-51	1/4	0.265	1/2	0.50	0.133
BSC-2	5/16	0.327	3/4	0.75	0.164
BSC-3	3/8	0.390	3/4	0.75	0.195
BSC-4	7/16	0.453	1	1.00	0.227
BSC-5	1/2	0.515	1	1.00	0.258
BSC-6	5/8	0.640	1	1.00	0.320
BSC-15	3/4	0.767	1/2	0.50	0.384
BSC-16	3/4	0.767	3/4	0.75	0.384
BSC-72	3/4	0.767	3/4	0.75	0.384
BSC-7	3/4	0.767	1	1.00	0.384
BSC-8	7/8	0.892	1	1.00	0.446
BSC-9	1	1.019	1	1.00	0.510

注:其他尺寸可定制 Remark:Other dimension customized available

D型旋转锉

SHAPE D (BALL)

公制 METRIC



规格 Type	基本尺寸 Basic dimension		
	直径 φD (mm)	高度 H (mm)	φd (mm)
D0403	4.5	3.8	3.26
D0504	5.5	4.7	3.88
D0605	6.5	5.6	4.49
D0807	8.5	7.4	5.71
D1009	10.5	9.2	6.92
D1211	12.5	11	8.12
D1614	16.5	14.6	10.53
D2018	20.5	18.2	12.90

英制 INCH

规格 Type	直径 φD (inch)	高度 H (inch)	φd (inch)
BSD-51	1/4	0.265	0.220
BSD-2	5/16	0.327	0.276
BSD-3	3/8	0.390	0.332
BSD-4	7/16	0.453	0.297
BSD-5	1/2	0.515	0.329
BSD-6	5/8	0.640	0.390
BSD-7	3/4	0.767	0.456
BSD-9	1	1.019	0.578

注:其他尺寸可定制 Remark:Other dimension customized available

E型旋转锉

SHAPE E (OLIVE)

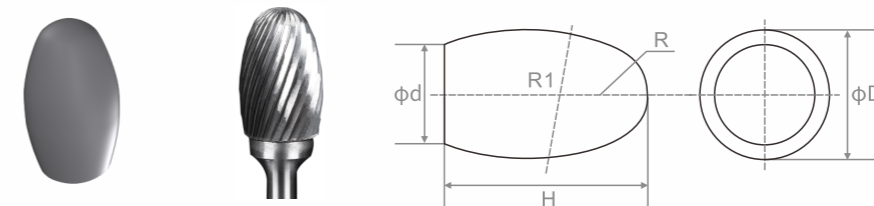
公制 METRIC

规格 Type	基本尺寸 Basic dimension			参考尺寸 Ref. dimension	
	直径 φD (mm)	高度 H (mm)	φd (mm)	R1 (mm)	R (mm)
E0610	6.5	10.5	5.00	14.118	2.8
E0813	8.5	13.5	6.80	17.175	3.4
E1016	10.5	16.5	8.20	18.990	4.0
E1220	12.5	20.5	10.70	30.300	5.2
E1322	13.3	22.5	11.20	35.800	5.4
E1625	16.5	25.5	14.33	38.200	6.7

英制 INCH

规格 Type	直径 φD (inch)	高度 H (inch)	φd (inch)	R1 (inch)	R (inch)
BSE-51	1/4	0.265	3/8	0.375	0.216
BSE-2	1/3	0.339	3/5	0.585	0.260
BSE-3	3/8	0.390	5/8	0.625	0.311
BSE-5	1/2	0.515	7/8	0.875	0.406
BSE-6	5/8	0.640	1	1.000	0.507
BSE-7	3/4	0.767	1	1.000	0.495

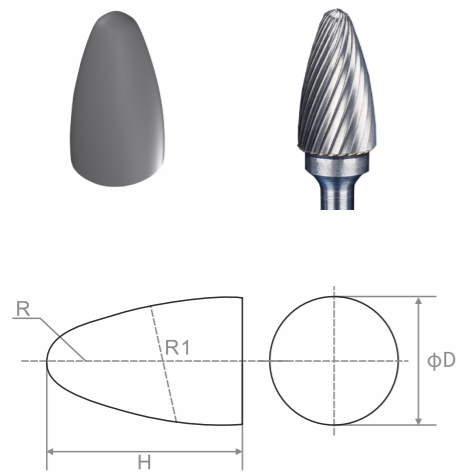
注:其他尺寸可定制 Remark:Other dimension customized available



F型旋转锉

SHAPE F (TREE WITH RADIUS NOSE)

公制 METRIC



规格 Type	基本尺寸 Basic dimension		参考尺寸 Ref. dimension	
	直径 φD (mm)	高度 H (mm)	R1 (mm)	R (mm)
F0413	4.5	13.3	45.70	1.0
F0513	5.5	13.3	36.20	1.2
F0613	6.5	13.3	31.00	1.5
F0818	8.5	18.3	51.80	2.0
F0820	8.5	20.3	73.10	2.3
F1020	10.5	20.3	53.10	2.8
F1225	12.5	25.3	76.20	3.5
F1325	13.2	25.3	69.80	3.6
F1425	14.5	25.3	82.00	3.0
F1625	16.5	25.3	50.00	4.0

英制 INCH

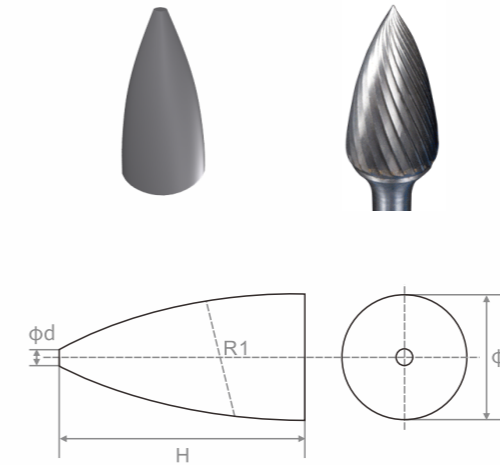
规格 Type	直径 φD (inch)		高度 H (inch)		R1 (inch)	R (inch)
BSF-51	1/4	0.265	1/2	0.50	1.630	0.068
BSF-3	3/8	0.390	3/4	0.75	2.300	0.098
BSF-4	7/16	0.453	1	1.00	3.255	0.098
BSF-13	1/2	0.515	3/4	0.75	1.760	0.130
BSF-5	1/2	0.515	1	1.00	3.255	0.130
BSF-6	5/8	0.640	1	1.00	3.005	0.194
BSF-7	3/4	0.767	1	1.00	2.130	0.194
BSF-14	3/4	0.767	1-1/4	1.25	3.319	0.194
BSF-15	3/4	0.767	1-1/2	1.50	5.069	0.194

注:其他尺寸可定制 Remark:Other dimension customized available

G型旋转锉

SHAPE G (TREE WITH POINTED NOSE)

公制 METRIC



规格 Type	基本尺寸 Basic dimension		参考尺寸 Ref. dimension	
	直径 φD (mm)	高度 H (mm)	φd (mm)	R1 (mm)
G0613	6.5	13.5	1.20	31.20
G0616	6.5	16.5	1.24	50.00
G0820	8.5	20.5	1.20	31.20
G1020	10.5	20.5	1.40	39.20
G1225	12.5	25.5	1.50	48.20
G1425	14.5	25.5	3.15	65.00
G1625	16.5	25.5	1.90	47.75
G1630	16.5	30.5	2.00	52.20

英制 INCH

规格 Type	直径 φD (inch)		高度 H (inch)		φd (inch)	R1 (inch)
BSG-51	1/4	0.265	1/2	0.50	0.042	1.050
BSG-2	5/16	0.327	3/4	0.75	0.055	2.005
BSG-3	3/8	0.390	3/4	0.75	0.056	1.505
BSG-13	1/2	0.515	3/4	0.75	0.073	1.318
BSG-5	1/2	0.515	1	1.00	0.073	2.255
BSG-6	5/8	0.640	1	1.00	0.073	1.880
BSG-7	3/4	0.767	1	1.00	0.075	1.631
BSG-15	3/4	0.767	1-1/2	1.50	0.088	3.505

注:其他尺寸可定制 Remark:Other dimension customized available

H型旋转锉

SHAPE H (FLAME)

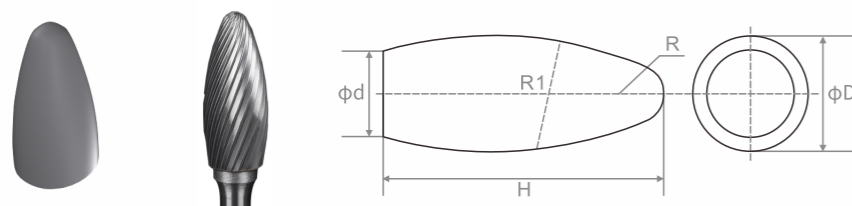
公制 METRIC

规格 Type	基本尺寸 Basic dimension			参考尺寸 Ref. dimension	
	直径 ϕD (mm)	高度 H (mm)	ϕd (mm)	R1 (mm)	R (mm)
H0513	5.3	13.0	4.1	20.7	1.5
H0613	6.5	13.0	4.0	12.1	1.1
H0618	6.5	18.3	4.0	26.3	1.7
H0820	8.5	20.3	7.2	34.3	2.1
H1025	10.5	25.3	7.8	35.7	2.6
H1232	12.5	32.3	9.0	47.0	3.0
H1332	13.2	32.3	9.5	45.5	3.5
H1636	16.5	36.3	11.7	42.7	3.5

英制 INCH

规格 Type	直径 ϕD (inch)		高度 H (inch)		ϕd (inch)	R1 (inch)	R (inch)
BSH-2	5/16	0.327	3/4	0.750	0.489	1.068	0.068
BSH-5	1/2	0.515	1-1/5	1.250	0.854	2.005	0.099
BSH-6	5/8	0.640	1-7/16	1.438	0.880	2.255	0.099
BSH-7	3/4	0.767	1-5/8	1.625	1.002	1.881	0.162

注:其他尺寸可定制 Remark:Other dimension customized available

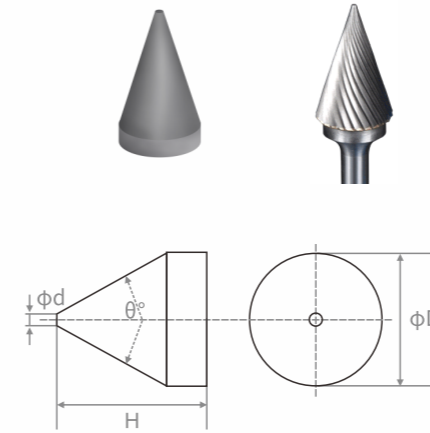


J型旋转锉

SHAPE J (60° CONE)

公制 METRIC

规格 Type	基本尺寸 Basic dimension			
	直径 ϕD (mm)	高度 H (mm)	ϕd (mm)	θ
J0606	6.5	10.5	1.1	60°
J0808	8.5	8.5	1.1	60°
J1010	10.5	10.5	1.4	60°
J1212	12.5	12.5	1.5	60°
J1312	13.5	12.5	1.6	60°
J1616	16.5	16.5	2.0	60°
J2020	20.5	20.5	2.5	60°



英制 INCH

规格 Type	直径 ϕD (inch)		高度 H (inch)		ϕd (inch)
BSJ-3	3/8	0.390	7/16	0.438	0.032
BSJ-5	1/2	0.515	35/64	0.547	0.032
BSJ-6	5/8	0.640	11/16	0.688	0.063
BSJ-7	3/4	0.767	51/64	0.797	0.063
BSJ-9	1	1.019	31/32	0.969	0.125

注:其他尺寸可定制 Remark:Other dimension customized available

K型旋转锉

SHAPE K (90° CONE)

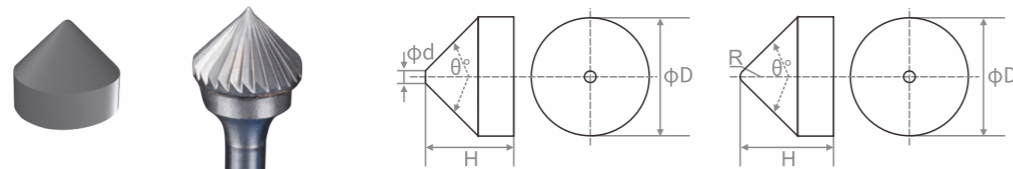
公制 METRIC

规格 Type	基本尺寸 Basic dimension		参考尺寸 Ref. dimension
	直径 ϕD (mm)	高度 H (mm)	R (mm)
K0603	6.5	8.3	1.0
K0804	8.5	9.3	1.0
K1005	10.5	10.0	0.6
K1206	12.5	11.3	1.0
K1306	13.3	11.5	1.0
K1608	16.5	13.3	1.0

英制 INCH

规格 Type	直径 ϕD (inch)		高度 H (inch)		ϕd (inch)
BSK-3	3/8	0.390	5/16	0.313	0.032
BSK-5	1/2	0.515	3/8	0.375	0.032
BSK-6	5/8	0.640	31/64	0.484	0.063
BSK-7	3/4	0.767	35/64	0.547	0.063
BSK-9	1	1.019	41/64	0.641	0.125

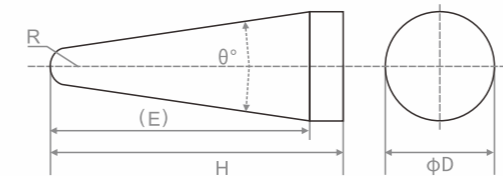
注:其他尺寸可定制 Remark:Other dimension customized available



L型旋转锉

SHAPE L (14° CONE BALL NOSE)

公制 METRIC



规格 Type	基本尺寸 Basic dimension		参考尺寸 Ref. dimension	
	直径 ϕD (mm)	高度 H (mm)	R (mm)	θ
L0413	4.5	13.0	1.4	8.5°
L0513	5.4	13.5	1.4	8.5°
L0613	6.5	13.5	2.0	14°
L0619	6.5	19.5	1.3	14°
L0822	8.5	22.5	1.9	14°
L1025	10.5	25.5	2.6	14°
L1228	12.5	28.5	3.5	14°
L1230	12.5	30.5	3.1	14°
L1328	13.3	28.5	3.8	14°
L1630	16.5	30.5	5.3	14°
L1633	16.5	33.5	5.3	14°

英制 INCH

规格 Type	直径 ϕD (inch)		高度 H (inch)		R (inch)		E (inch)
BSL-2	5/16	0.327	1	1.015	0.055	0.060	1-7/8
BSL-3	3/8	0.390	1-3/16	1.208	0.065	0.070	1-1/16
BSL-4	1/2	0.515	1-1/4	1.271	0.126	0.131	1-1/8
BSL-5	5/8	0.640	1-5/16	1.333	0.188	0.193	1-3/16
BSL-6	5/8	0.640	1-7/16	1.458	0.171	0.176	1-5/16
BSL-7	3/4	0.767	1-5/8	1.646	0.216	0.222	1-1/2

注:其他尺寸可定制 Remark:Other dimension customized available

M型旋转锉

SHAPE M (CONE)

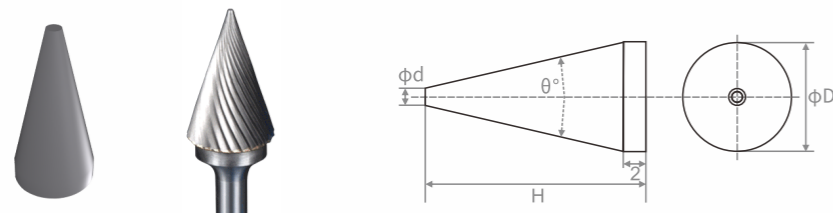
公制 METRIC

规格 Type	基本尺寸 Basic dimension		参考尺寸 Ref. dimension	
	直径 ϕD (mm)	高度 H (mm)	ϕd (mm)	θ
M0513	5.5	13.0	0.6	24°
M0613	6.5	13.2	1.2	24°
M0618	6.5	18.5	1.5	14°
M0818	8.5	18.5	1.2	18°
M1016	10.3	16.3	1.8	26°
M1020	10.5	20.3	1.4	20°
M1225	12.5	25.3	2.0	22°
M1322	13.3	22.3	2.0	28°
M1625	16.5	25.3	2.5	30°

英制 INCH

规格 Type	直径 ϕD (inch)		高度 H (inch)		ϕd (inch)	θ
BSM-51	1/4	0.265	5/8	0.635	0.065	22°
BSM-4	3/8	0.390	3/4	0.760	0.073	28°
BSM-5	1/2	0.515	1	1.010	0.073	28°
BSM-6	5/8	0.640	1/8	1.141	0.080	31°

注:其他尺寸可定制 Remark:Other dimension customized available



N型旋转锉

SHAPE N (INVERTED CONE)

公制 METRIC

规格 Type	基本尺寸 Basic dimension			
	直径 ϕD (mm)	高度 H (mm)	ϕd (mm)	θ
N0607	6.50	7.5	5.20	10°
N0808	8.50	8.5	7.10	10°
N1010	10.50	10.5	8.75	10°
N1213	12.35	13.5	10.00	20°
N1616	16.50	16.0	12.50	20°



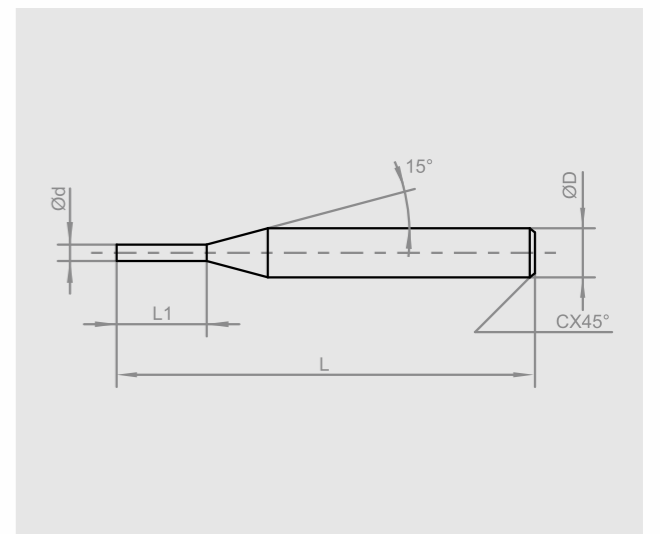
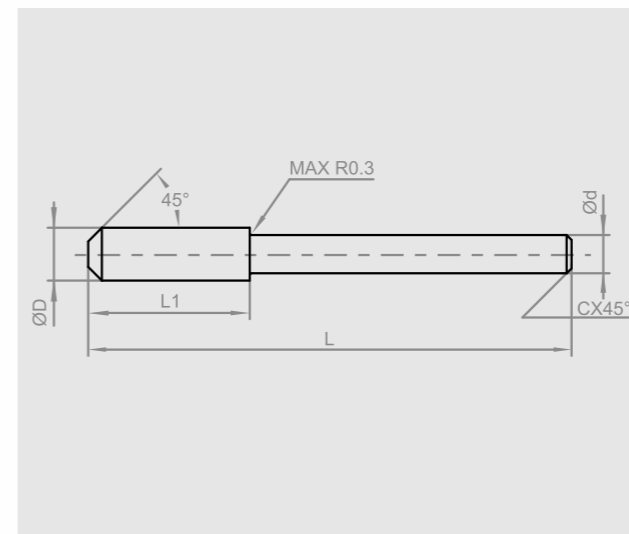
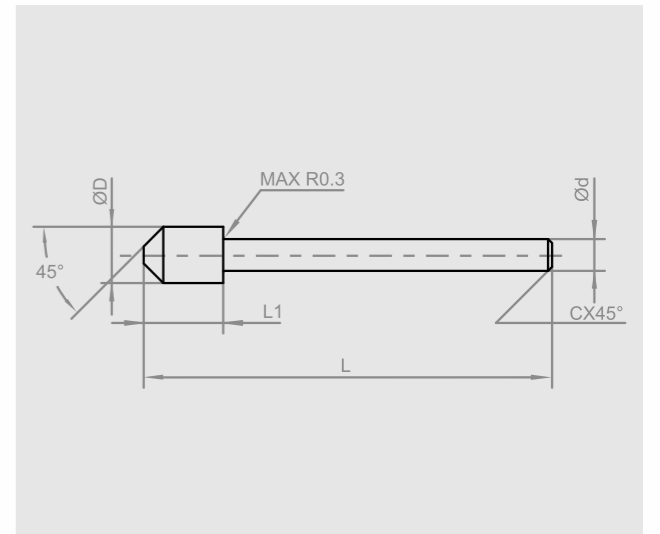
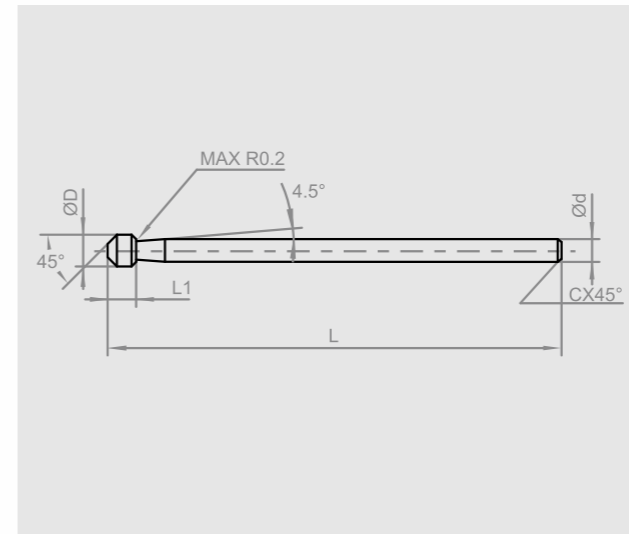
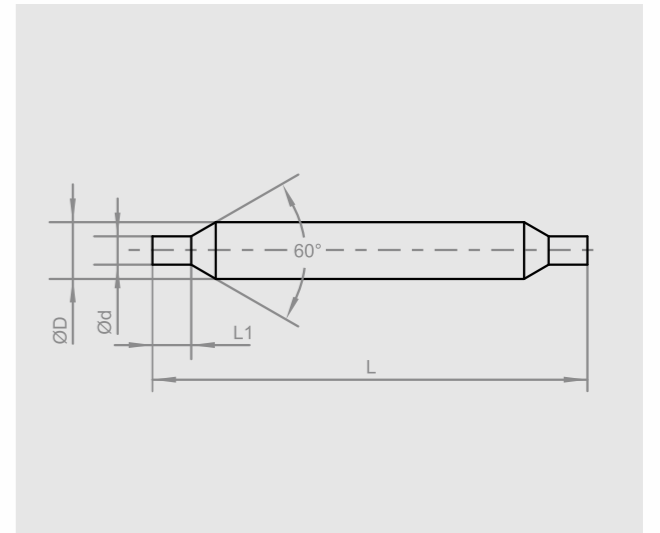
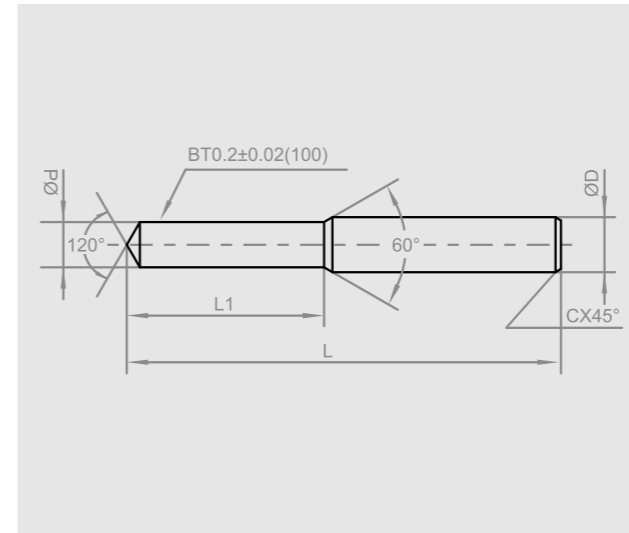
英制 INCH

规格 Type	直径 ϕD (inch)		高度 H (inch)		ϕd (inch)	θ
BSN-51	1/4	0.265	1/4	0.250	0.221	10°
BSN-2	3/8	0.390	3/8	0.375	0.305	13°
BSN-3	1/2	0.515	1/2	0.500	0.374	16°
BSN-4	1/2	0.515	1/2	0.500	0.266	28°
BSN-5	5/8	0.640	5/8	0.625	0.431	19°
BSN-6	5/8	0.640	3/4	0.750	0.403	18°
BSN-7	3/4	0.767	5/8	0.625	0.432	30°

注:其他尺寸可定制 Remark:Other dimension customized available



预成型棒
**PREFORMED
CARBIDE**



其他产品可定制 Other products customized available